

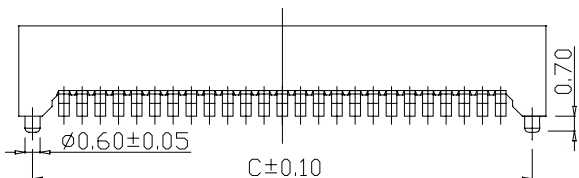
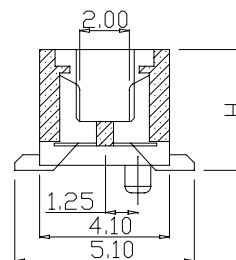
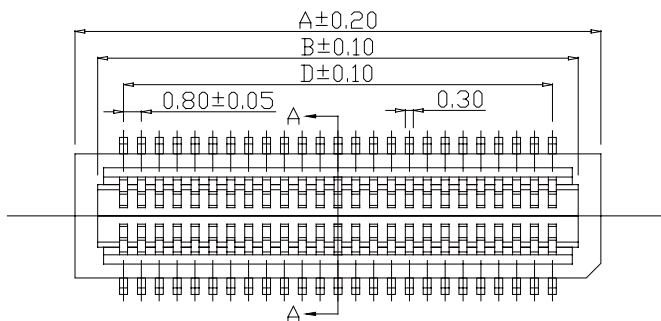
BY	CHK	REVISION RECORD MODIFICATIONS	DATE	REV.
ALLEN		RELEASE TO PRODUCTION	2007,7,28	1.0

SPECIFICATION

Current Rate: 0.5 AMP
 Insulation Resistance: 100mΩ Min
 Contact Resistance: 40mΩ Max
 Dielectric voltage: 500V AC for one minute
 Operation Temperature: -40°C to +105°C

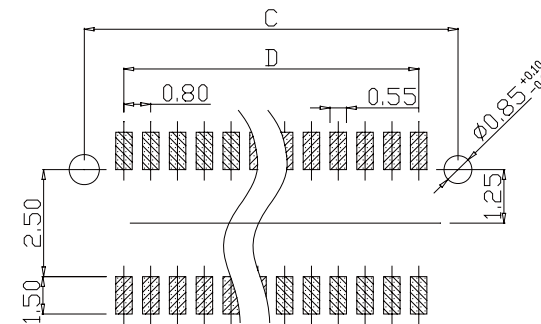
MATERIAL

Insulator: Polyester, UL94v-0
 Standard: Nylon 46
 Contact Pin: Phosphor Bronze
 Contact Plated: Gold Plated



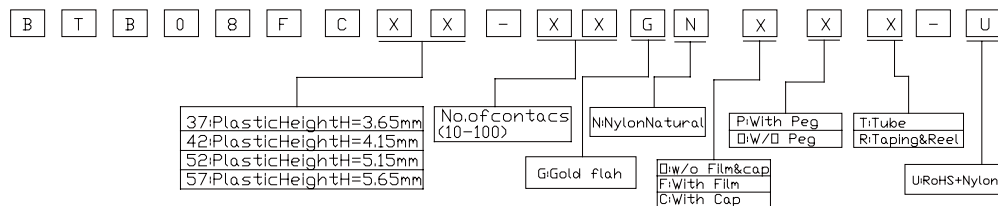
After Mating Height

MATING HEIGHT	MALE P/N	FEMALE P/N
4.50	BTB08MC-XX	BTB08FC37-XX
5.00	BTB08MC-XX	BTB08FC42-XX
5.50	BTB08MC40-XX	BTB08FC42-XX
6.00	BTB08MC-XX	BTB08FC52-XX
6.50	BTB08MC-XX	BTB08FC57-XX
7.00	BTB08MC40-XX	BTB08FC57-XX



Recommended PCB Layout
(PCB TOLERANCE±0.05)

CIRCUITS	DIMENSION				CIRCUITS	DIMENSION			
	A	B	C	D		A	B	C	D
10	5.80	4.90	5.00	3.20	32	14.60	13.70	13.80	12.00
12	6.60	5.70	5.80	4.00	34	15.40	14.50	14.60	12.80
14	7.40	6.50	6.60	4.80	36	16.20	15.30	15.40	13.60
16	8.20	7.30	7.40	5.60	38	17.00	16.10	16.20	14.40
18	9.00	8.10	8.20	6.40	40	17.80	16.90	17.00	15.20
20	9.80	8.90	9.00	7.20	50	21.80	20.90	21.00	19.20
22	10.60	9.70	9.80	8.00	60	25.80	24.90	25.00	23.20
24	11.40	10.50	10.60	8.80	68	29.00	28.10	28.20	26.40
26	12.20	11.30	11.40	9.60	70	29.80	28.90	29.00	27.20
28	13.00	12.10	12.20	10.40	80	33.80	32.90	33.00	31.20
30	13.80	12.90	13.00	11.20	90	37.80	36.90	37.00	35.20
					100	41.80	40.90	41.00	39.20



APPRO	CHECK	DRAWN	PART NO.	BTB08FCXX-XXGNXXX-U
			ITEM NO.	
			DRAW NO.	
			UNIT	mm SCALE no
			TOLER	NO.

DESCRIPTION

